

1 Physical Description

(1) Panel

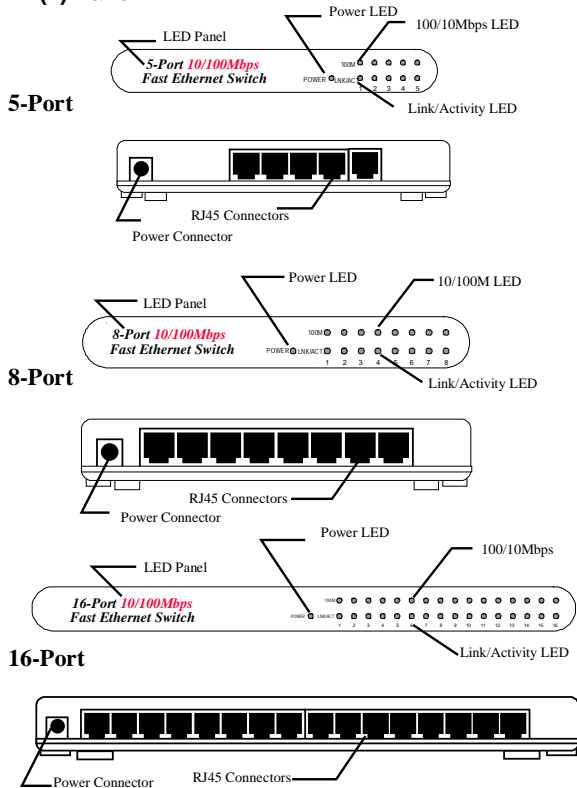


Figure 1-1 Panel description

(2) LED

5/8/16 Port Fast Ethernet Switch

LED	Color	Status	Description
PWR (Power)	Green	Lit	Power is supplied
		Off	No power
LNK/ACT (Link/Activity)	Green	Lit	A valid link is established
		Flash	Data packets received
		Off	No link is established
SPEED (10/100M)	Yellow	Lit	This port run at 100Mbps
		Off	This port run at 10Mbps

Table 1-1 LED description

2 Installation

1. Operating Environment

This switching hub must be installed and operated within the limits of specified operating temperature (32-131°F) and humidity (10-95% Noncondensing). Do not place objects on top of the unit. Do not obstruct any vents at the sides of the unit. Do not position the unit near any heating source such as heater, radiator, or direct exposure to sun. Prevent entering of water and moisture into the unit. If necessary, use dehumidifier to reduce humidity.

2. Connecting to network devices

The RJ-45 ports on the switch support Auto-MDI/MDI-X function which allow using straight-through or cross-over type cables to connect this switch to workstation or hub.

Connect one end of the network cable to the RJ-45 port on the rear panel, and connect the other end of the network cable to the RJ-45 port on the network device. Follow the same procedure to connect all the RJ-45 ports of the switch. The UTP network cables must comply with EIA/TIA 568 specifications and Category 5 standard for 100Mbps data transmission. Maximum length, using UTP cable, between the switch and connected device is 100 meters (300ft). Once the network cable is connected to both ends and the attached network device is powered on, the green LNK/ACT LED should be lit.

3. Connecting the power

Connect the output end of the power adapter to the power connector on the rear panel of the unit. Connect the power adapter to the power outlet. The green Power LED on the front panel should be lit.

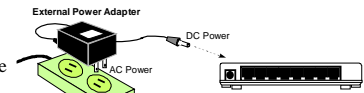


Figure 2-1 Connect the AC power adapter

3 Trouble-shooting

1. Power LED is not lit

- Check if the power cord is properly connected to the external power adapter and the power outlet. Make sure the DC power jack is firmly plugged into the power socket of the switch.

2. Link/Activity is not lit when connect to 100Mbps device

- Check the power switch of the network device attached to the switch; make sure it is turned ON.
- Check the network cable; make sure it is properly connected to the switch and the network device.
- Check the network cable; make sure the UTP cables comply with EIA/TIA 568 and Category 5 specification.

[!] Contact your dealer if problem persist.